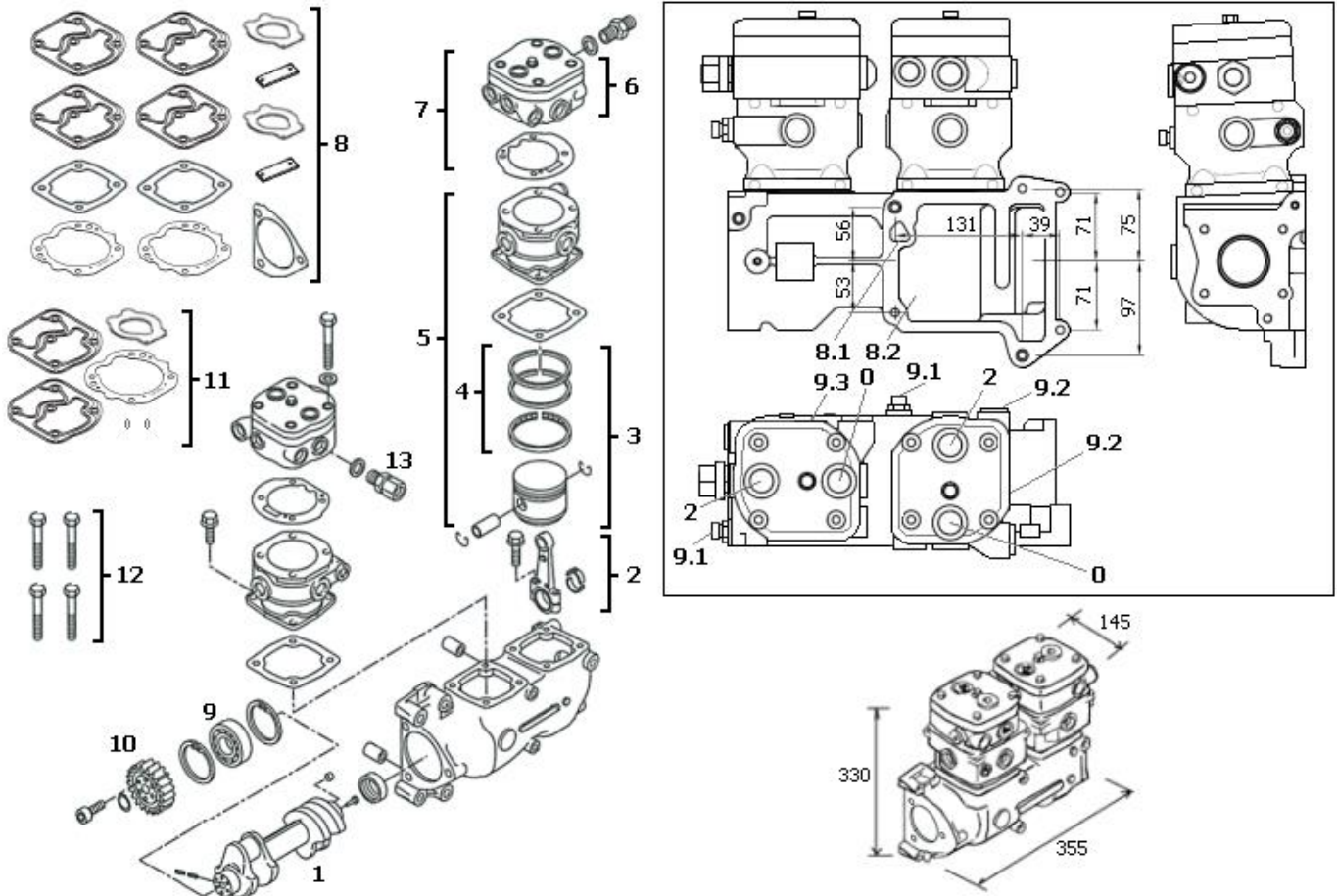


MAN TGA D2876 SERIES LF / D2866 SERIES LF

MAN	51.54100.7010			
-----	---------------	--	--	--

Bore	90	mm	Max speed	2600	°/min	0 Air in	M26 X 1.5	2 Air out	M26 X 1.5
Stroke	46	mm	Max Pressure	12	bar	8.1 Oil in	Flange	8.2 Oil out	Flange
Displacement	585	CC	Weight	31	Kg	9.1 Water in	M22 X 1.5	9.2 Water out	M16 X 1.5



Item	Code	Descrizione	Description
1	5800.025.504	Albero	Crankshaft
2	2000.030.026	Kit Biella	Connecting Rod
3	2000.030.023	Kit Pistone D. 90.0 (Seg. 2.5-2.5-4)	Piston Set D. 90.0 (Ring 2.5-2.5-4)
3	2000.030.024	Kit Pistone D. 90.5 (Seg. 2.5-2.5-4)	Piston Set D. 90.5 (Ring 2.5-2.5-4)
4	2000.030.019	Kit Segmenti D. 90.0 (2.5-2.5-4)	Piston Ring Set D. 90.0 (2.5-2.5-4)
4	2000.030.020	Kit Segmenti D. 90.5 (2.5-2.5-4)	Piston Ring Set D. 90.5 (2.5-2.5-4)
5	2000.030.030	Kit Cilindro	Cylinder Kit
6	3000.025.373	Kit Testa Light	Head Kit Light
7	3000.025.360	Kit Testa	Head Kit
8	5800.025.655	Kit Guarnizioni e Valvole	Gasket & Valve Kit
9	5800.025.520	Cuscinetto	Bearing
10	5800.025.783	Ingranaggio	Gear
11	3000.025.376	Kit Riparazione	Repair Kit
12	3000.025.375	Kit Riparazione	Repair Kit
13	9000.070.065	Valvola Max Pressione 17 + 2 bar	Safety Valve 17 + 2 bar